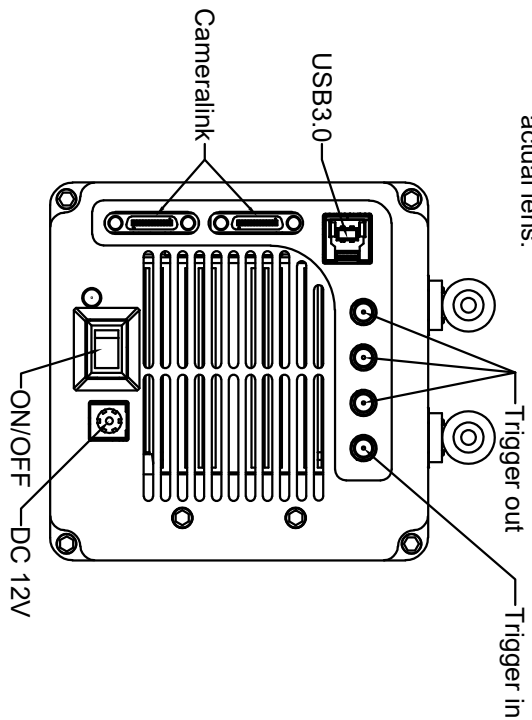
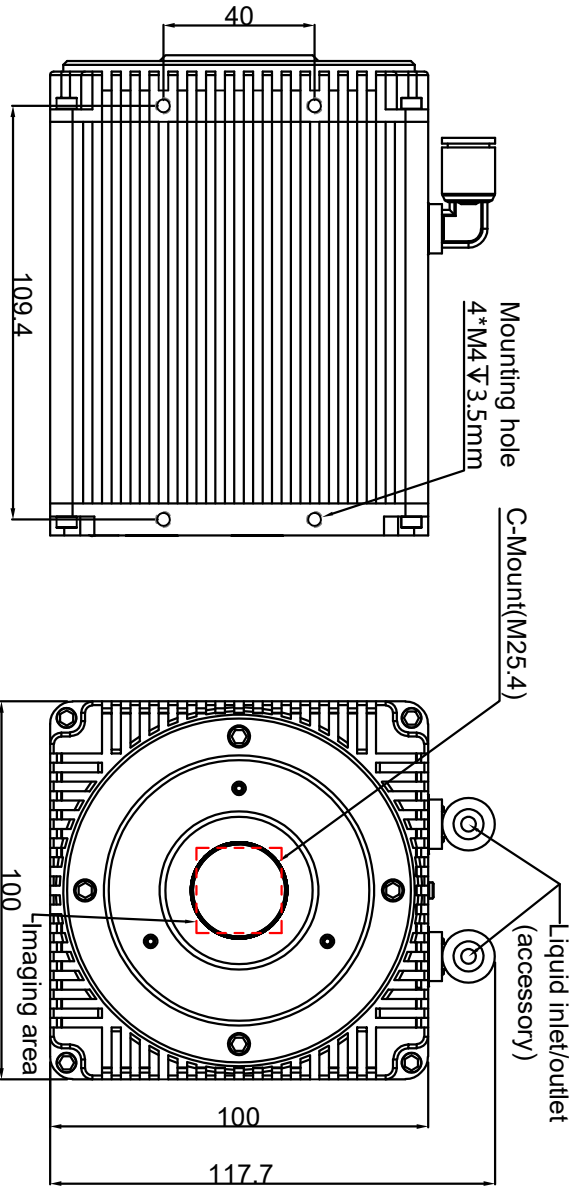


\*6.5° is the incident angle for lens with F-mount.  
The angle for C-mount should be prevailed with actual lens.



<b>TUCSEN</b>				Project	DHYANA 95 V2
Ver.	Name	Date	Updates	Note	Structure
Prop.	HS	20220111	View	Scale	Part name
Audit				1:2	Part code
Process			Page 1		Material
Approve			1 page in total		