

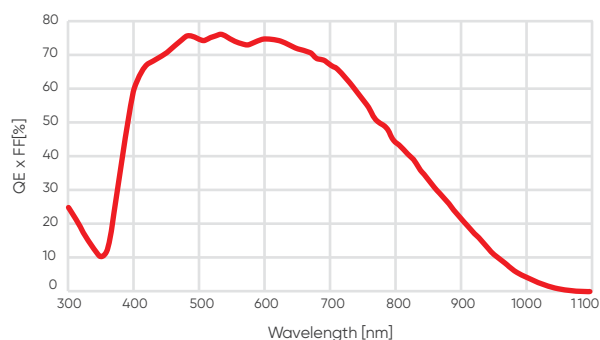
# Ultra-large sCMOS Camera

## Dhyana 4040 V2

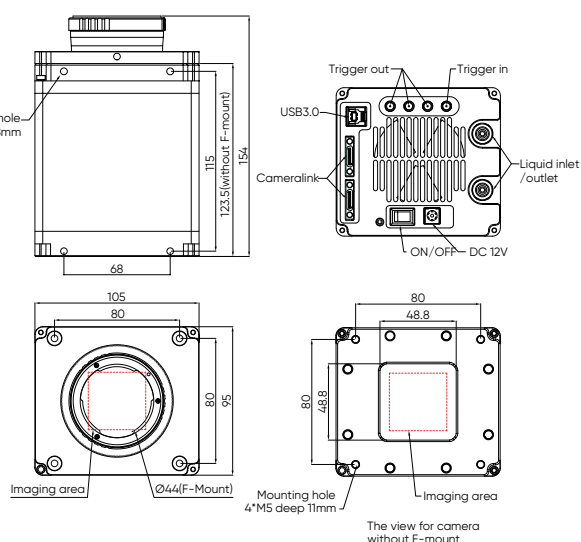


### Product Advantages

- 52.1mm Array Diagonal
- 4096\*4096 high resolution
- 9 $\mu$ m x 9 $\mu$ m large pixel
- Long exposure time supported
- 70ke-High full well capacity
- Excellent cooling performance



### Product Structure



### Specifications

Model	Dhyana 4040 V2
Sensor model	FSI sCMOS
Shutter type	Rolling
Color/Mono	Mono
Effective area	36.9mm x 36.9mm
Resolution	4096(H) x 4096(V)
Pixel size	9 $\mu$ m x 9 $\mu$ m
QE	74%@600nm
Full-Well capacity	70ke-
Dynamic Range	86 dB
Frame rate	16.5fps@CameraLink; 9.7fps@USB3.0
Readout noise	3.6e-
Exposure time	10 $\mu$ s~3600s
DSNU	0.5e-
PRNU	0.2%
Cooling Method	Air & Liquid
Max. Cooling	45 °C below ambient (Liquid)
Cooling temperature	Air: (Ambient+20): -20°C; Liquid: -30°C@20°C
Dark current	Air: 0.15e-/pixel/s; Liquid: 0.1e-/pixel/s
Binning	2x2/4x4
ROI	Support
TimeStamp accuracy	1 $\mu$ s accuracy
GPS TimeStamp	8ns accuracy
Trigger Mode	Hardware & Software
Output Trigger Signals	Exposure, Global, Readout, High level, Low level
Trigger Interface	SMA , CameraLink CC1
Data Interface	USB3.0 & CameraLink
Data Bit Depth	12bit & 16bit
Optical Interface	Optional F-Mount/User-customization
Power Supply	12V/8A
Power Consumption	<45W
Dimensions	105mm x 95mm x 123.5mm
Weight	2kg
Software	Mosaic 3.0 , SamplePro , MaximDL , LabVIEW , MATLAB
SDK	C/C++/C#/Python
Operating System	Windows/Linux
Operating Environment	Working: Temperature -35 ~ 45°C/Humidity 0~95% Storage: Temperature-35 ~ 60°C/Humidity 0~95%

**Tucsen Photonics Co., Ltd.**

Tel: +86-591-28055080 Email: support@tucsen.com

Add: 5# Wanwushe Smart Industrial Park , No.2 Yangqi Branch Rd, Gaishan Town, Cangshan Area, Fuzhou, Fujian, PRC, China.

www.tucsen.com