

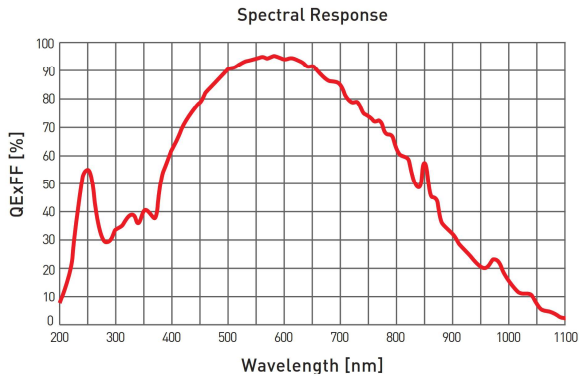
Ultra-large sCMOS Camera

Dhyana 6060BSI

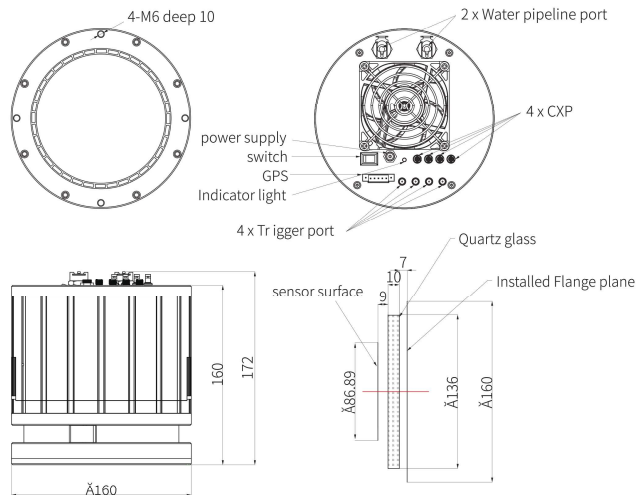


Product Advantages

- 61.4mm x 61.4mm area
- 102ke- full well capacity
- 95%@580nm
- CXP high-speed interface
- GPS supported



Product structure



Specifications

Model	Dhyana 6060BSI
Sensor model	BSI sCMOS
Shutter type	Rolling
Color/Mono	Mono
Effective area	61.4mm x 61.4mm
Resolution	6144(H) x 6144(V)
Pixel size	10 μ m x 10 μ m
QE	95%@580nm
Full-Well capacity	102ke-
Dynamic Range	90dB
Frame rate	26.4 fps @ 12 bit STD, 11.3 fps @ 16 bit HDR, 8.6 fps @ 14 bit STD
Readout noise	3e- (Median)
Exposure time	12 μ s-300s
DSNU	1.5e-
PRNU	0.2%
Cooling Method	Air & Liquid
Max. Cooling	Air: -35°C; Liquid: -45°C
Cooling temperature	Air: (Ambient +20):-15°C; Liquid: -25°C@20°C
Dark current	Air: 0.25e-/pixel/s; Liquid: 0.15e-/pixel/s
Binning	2x2, 4x4
ROI	Support
TimeStamp accuracy	1 μ s accuracy
GPS	Support
Trigger Mode	Hardware & Software
Output Trigger Signals	Exposure, Global, Readout, High level, Low level
Trigger Interface	SMA
Data Interface	CXP12
Data Bit Depth	12bit, 14bit, 16bit
Optical Interface	User-customization
Power Supply	12V/10A
Power Consumption	<100W
Dimensions	$\varnothing 160$ (Diameter) x 164 mm (length)
Weight	~4kg
Software	Samplepro/MAXIMDL/Labview/Matlab/EPICS
SDK	C/C++/C#
Operating System	Windows/Linux
Operating Environment	Working: Temperature -35~45°C/Humidity 0~95% Storage: Temperature -35~60°C/Humidity 0~95%